



Private Residence Binchang rise, Singapore (Singapore) | Design & Photography: H.Y.L.A. Architects



EXTENDED FAMILY

SCOPE 280

# SCOPE SURFACE





		P	CCT	I	Flux	LOR
<b>SCOPE 35 Surface</b>	A260-30-0-0-   WW   WG   WR   NN   NG	7W	2700K	200mA	910Lm	89%
	A260-30-0-1-   WW   WG   WR   NN   NG	7W	3000K	200mA	940Lm	89%
	A260-30-0-2-   WW   WG   WR   NN   NG	7W	4000K	200mA	960Lm	89%

220/240 V~ | IP20 | CRI>90 | L80B10 >60.000h | MacAdam Step 2 | OPTIONS\* | FAST I CONNEC | INCL | 47°



		P	CCT	I	Flux	LOR
<b>SCOPE 27 Surface</b>	A260-20-0-0-   WW   WG   WR   NN   NG	7W	2700K	200mA	910Lm	89%
	A260-20-0-1-   WW   WG   WR   NN   NG	7W	3000K	200mA	940Lm	89%
	A260-20-0-2-   WW   WG   WR   NN   NG	7W	4000K	200mA	960Lm	89%

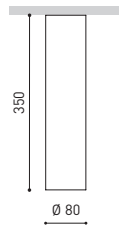
220/240 V~ | IP20 | CRI>90 | L80B10 >60.000h | MacAdam Step 2 | OPTIONS\* | FAST I CONNEC | INCL | 47°



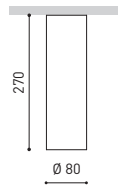
		P	CCT	I	Flux	LOR
<b>SCOPE 21 Surface</b>	A260-10-00-   WW   WG   WR   NN   NG	7W	2700K	200mA	910Lm	89%
	A260-10-01-   WW   WG   WR   NN   NG	7W	3000K	200mA	940Lm	89%
	A260-10-02-   WW   WG   WR   NN   NG	7W	4000K	200mA	960Lm	89%

220/240 V~ | IP20 | CRI>90 | L80B10 >60.000h | MacAdam Step 2 | FAST I CONNEC | INCL | 47°

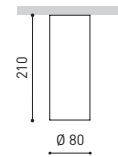
SCOPE 35 SURFACE



SCOPE 27 SURFACE



SCOPE 21 SURFACE



\*OPTIONS

0	DIM Phase cut
1	DIM Push
2	DIM 1-10V
3	DIM DALI

COLOUR | WW | WG | WR | NN | NG | MATERIAL | AL | PC | RAL » 365

OTHER COLOURS PLEASE CONSULT | COLOURS MAY AFFECT THE LIGHTING PARAMETERS

» PLEASE CONSULT





Aigües de l'Horta offices, Torrent Market, Torrent (Spain) | Design: Burgos Orti Arquitectos | Building design: Vazquez Consuegra | Photography: Diego Opazo Fotografía



EXTENDED FAMILY

SCOPE SURFACE 242

SCOPE





		P	CCT	I	Flux	LOR
SCOPE 35	A261-30-00-	7W	2700K	200mA	910Lm	89%
	A261-30-01-	7W	3000K	200mA	940Lm	89%
	A261-30-02-	7W	4000K	200mA	960Lm	89%

| 220/240 V~ | | CRI>90 | L80B10 >60.000h |



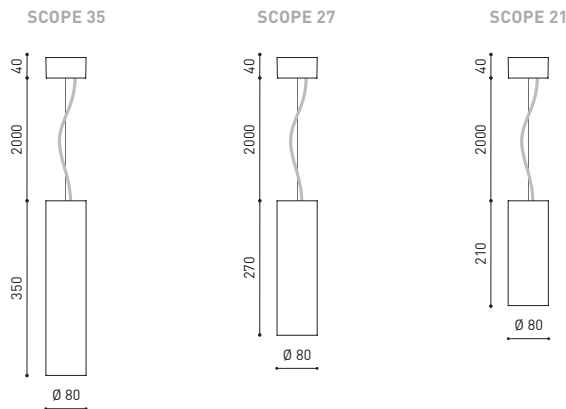
		P	CCT	I	Flux	LOR
SCOPE 27	A261-20-00-	7W	2700K	200mA	910Lm	89%
	A261-20-01-	7W	3000K	200mA	940Lm	89%
	A261-20-02-	7W	4000K	200mA	960Lm	89%

| 220/240 V~ | | CRI>90 | L80B10 >60.000h |



		P	CCT	I	Flux	LOR
SCOPE 21	A261-10-00-	7W	2700K	200mA	910Lm	89%
	A261-10-01-	7W	3000K	200mA	940Lm	89%
	A261-10-02-	7W	4000K	200mA	960Lm	89%

| 220/240 V~ | | CRI>90 | L80B10 >60.000h |



COLOUR | WW | WG | WR | NN | NG | MATERIAL | AL | PC | RAL » 365

OTHER COLOURS PLEASE CONSULT | COLOURS MAY AFFECT THE LIGHTING PARAMETERS

» PLEASE CONSULT