

CANOPUS



... dustproof, waterproof, for high ceilings.

USE

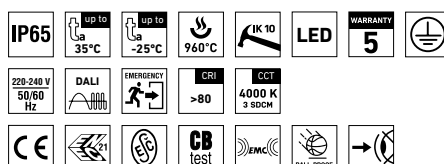
The light fitting is suitable for large operations with high ceilings, industrial outdoor and indoor roofed spaces, warehouses, workshops, sports areas, transport terminals and utility structures without a danger of explosion of gas, dust and combustible fumes.

The light fitting is resistant to deformation, dust and splashing water.

Characteristics of the used tempered glass and its shattering power are controlled by the ČSN EN 12150-1 standard. For applications where spontaneous fracture means a higher safety risk, we recommend to use the version with the safety film (SF).

ADVANTAGES

- Light fitting protection **IP65**
- Maximum ambient temperature up to **$t_a = 35^\circ\text{C}$**
- Lifetime: 50,000 hours / L90B50
- High mechanical robustness IK10
- Diffuser: satinized or transparent tempered safety glass
- Body: steel sheet - white colour (RAL 9003), or inox AISI 304 at request
- Up to 45 % lower electricity consumption when compared to tubes T5
- Possibility of delivery either in a deemed or permanently emergency design M1hAt and M3hAt
- In DALI version possibility of constant luminous flux for whole lifetime (CLO)
- Constant luminous flux even in ambient temperature of -25°C
- Standard model - CRI > 80: 4000 K
- At request CRI > 80: 3000 K, 5000 K, 6500 K, CRI > 90: 3000 K, 4000 K, 5000 K, 6500 K
- Easy installation with the help of supply connector with cable 0,4 m CYSY 3 × 1,5, without necessity of opening the light fitting
- Certification: ESC, ENEC, CB, BALL-PROOF

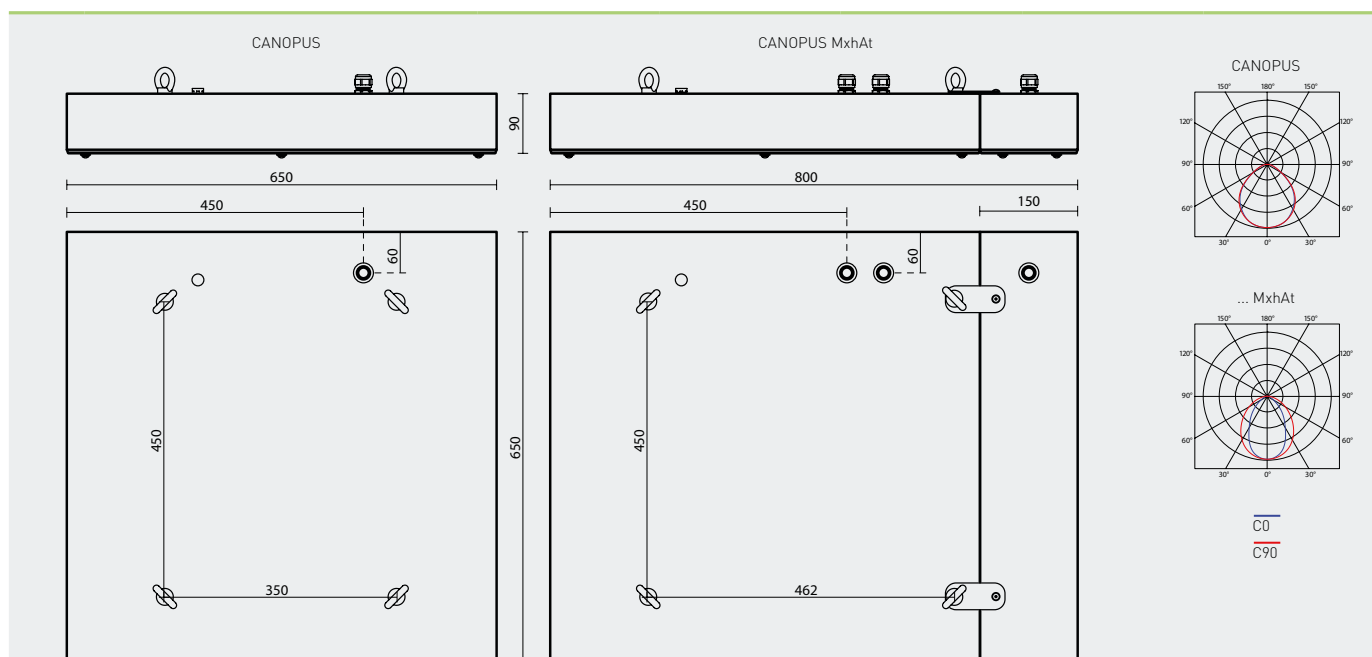


CANOPUS



TECHNICAL DESCRIPTION

- Light fitting protection: IP65
- Maximum ambient temperature: $t_a = 0-35^\circ\text{C}$ and for the design with a back-up power supply M1hAt, M3hAt
- Maximum system efficacy: 144 lm/W
- The watt and lumen values can vary by $\pm 7,5\%$
- Standard model - CRI > 80: 4000 K
- MacAdam = 3 SDCM
- Lifetime: 50,000 hours / L90B50
- Diffuser: satinized tempered safety glass
- Possibility of delivery of the diffuser with a safety foil (SF)
- EM kit with battery autotesting for M1hAt and M3hAt
- Body: steel sheet, white colour (RAL 9003), or inox AISI 304 at request
- Ventilation plug: type BVPB-01 made of polyamide, size M12 \times 1,5
- Sealing: EPDM attached to light fitting body
- Terminal block: interconnecting connector, 0,4 m cable
- Installation: all versions delivered including suspension lugs (4 pcs)
- Electric equipment: LED modules, current driver or current driver DALI (2 - 3 pcs depending on type)



Code	Type	Luminous flux of LED modules [lm]	Luminous flux of light fitting [lm]	Power consumption [W]	System efficacy [lm/W]	Net weight [kg]
For ambient temperature $t_a = 35^\circ\text{C}$ - body: steel sheet, white colour - diffuser: satinized tempered safety glass						
74010	CANOPUS 22000/840	22000	18040	125	144	11,6
74020	CANOPUS 26000/840	26000	21320	157	135	11,8
74030	CANOPUS 30000/840	30000	24600	183	134	11,8

Type	Autonomy [hrs]	Emergency light flux of light fitting [lm]	Power in standby mode [W]	Battery type	Net weight [kg]
EM kit for permanent emergency lighting with battery autotesting - diffuser: satinized tempered safety glass					
... M1hAt	1	440	1,5	LiFePO ₄	+4,2
... M3hAt	3	440	1,5	LiFePO ₄	+4,4

CANOPUS

Code	Type	M1hAt	M3hAt	DALI	DALI M1hAt	DALI M3hAt
74010	CANOPUS 22000/840	74011	74013	74016	74017	74018
74020	CANOPUS 26000/840	74021	74023	74026	74027	74028
74030	CANOPUS 30000/840	74031	74033	74036	74037	74038

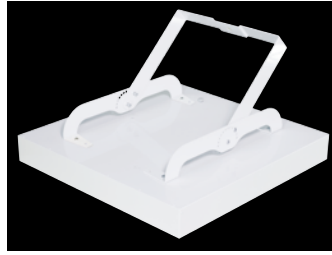
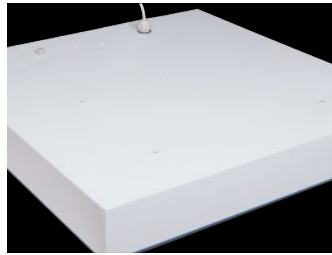
Example of type marking: 74036 = CANOPUS 30000/840 DALI

LEGEND

- DALI** – version with digital dimmable driver DALI (2 - 3 pcs)
- M1hAt** – emergency back-up source with operating time of 1 hour (SA) for permanent illumination with battery autotesting
- M3hAt** – emergency back-up source with operating time of 3 hours (SA) for permanent illumination with battery autotesting
- Batteries must be formatted before their putting into operation. Assembly instructions must be observed at installation.

LIGHT FITTING ATTACHMENT

- a) With help of suspension eyes of M6
- b) With help of a holder directly to the ceiling
- c) With the help of adjustable holder directly on the ceiling or on the wall
- d) With help of a chain hinge

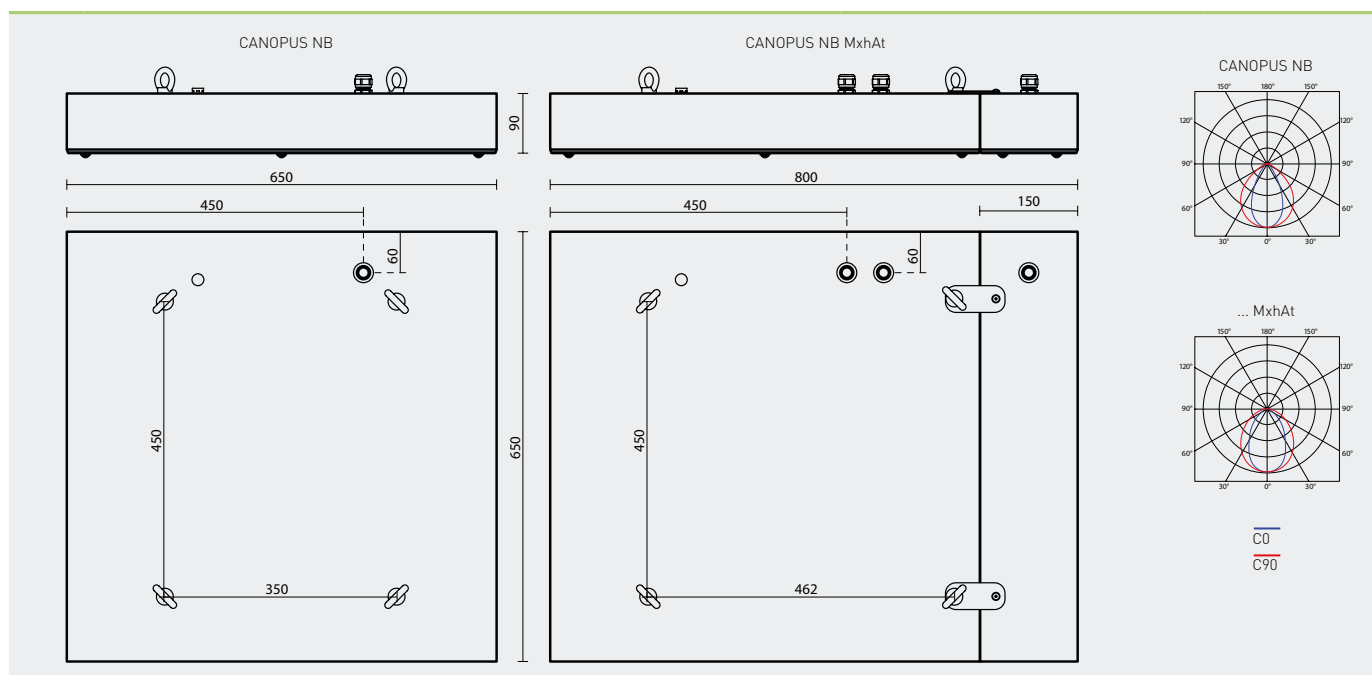
**LIGHT FITTING DETAILED VIEW****LIGHT FITTING DETAILED VIEW WITH AN EMERGENCY MODULE**

CANOPUS NB



TECHNICAL DESCRIPTION

- Light fitting protection: IP65
- Maximum ambient temperature: $t_a = 0-35^\circ\text{C}$ and for the design with a back-up power supply M1hAt, M3hAt
- Maximum system efficacy: 146 lm/W
- The watt and lumen values can vary by $\pm 7,5\%$
- Standard model - CRI > 80: 4000 K
- MacAdam = 3 SDCM
- Lifetime: 50,000 hours / L90B50
- Diffuser: satinized tempered safety glass
- Possibility of delivery of the diffuser with a safety foil (SF)
- EM kit with battery autotesting for M1hAt and M3hAt
- Reflector: parabolic polished aluminium with narrow emitting characteristics (NB - narrow beam)
- Body: steel sheet, white colour (RAL 9003), or inox AISI 304 at request
- Ventilation plug: type BVPB-01 made of polyamide, size M12 \times 1,5
- Sealing: EPDM attached to light fitting body
- Terminal block: interconnecting connector, 0,4 m cable
- Installation: all versions delivered including suspension lugs (4 pcs)
- Electric equipment: LED modules, current driver or current driver DALI (2 - 3 pcs depending on type)



Code	Type	Luminous flux of LED modules [lm]	Luminous flux of light fitting [lm]	Power consumption [W]	System efficacy [lm/W]	Net weight [kg]
For ambient temperature $t_a = 35^\circ\text{C}$ - body: steel sheet, white colour - diffuser: satinized tempered safety glass with parabolic reflector						
74110	CANOPUS NB 22000/840	22000	18260	125	146	12,3
74120	CANOPUS NB 26000/840	26000	21580	157	137	12,5
74130	CANOPUS NB 30000/840	30000	24900	183	136	12,5

Type	Autonomy [hrs]	Emergency light flux of light fitting [lm]	Power in standby mode [W]	Battery type	Net weight [kg]
EM kit for permanent emergency lighting with battery autotesting - diffuser: satinized tempered safety glass					
... M1hAt	1	440	1,5	LiFePO ₄	+4,2
... M3hAt	3	440	1,5	LiFePO ₄	+4,4

CANOPUS NB

Code	Type	M1hAt	M3hAt	DALI	DALI M1hAt	DALI M3hAt
74110	CANOPUS NB 22000/840	74111	74113	74116	74117	74118
74120	CANOPUS NB 26000/840	74121	74123	74126	74127	74128
74130	CANOPUS NB 30000/840	74131	74133	74136	74137	74138

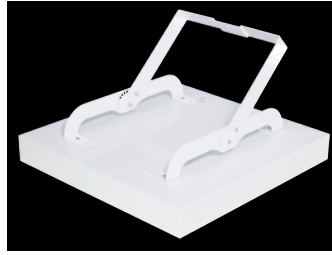
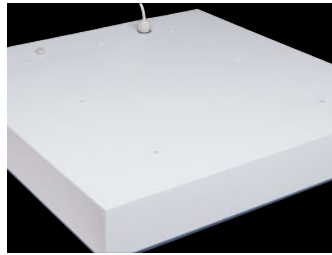
Example of type marking: 74136 = CANOPUS NB 30000/840 DALI

LEGEND

- DALI** – version with digital dimmable driver DALI (2 - 3 pcs)
M1hAt – emergency back-up source with operating time of 1 hour [SA] for permanent illumination with battery autotesting
M3hAt – emergency back-up source with operating time of 3 hours [SA] for permanent illumination with battery autotesting
 Batteries must be formatted before their putting into operation. Assembly instructions must be observed at installation.

LIGHT FITTING ATTACHMENT

- a) With help of suspension eyes of M6
- b) With help of a holder directly to the ceiling
- c) With the help of adjustable holder directly on the ceiling or on the wall
- d) With help of a chain hinge

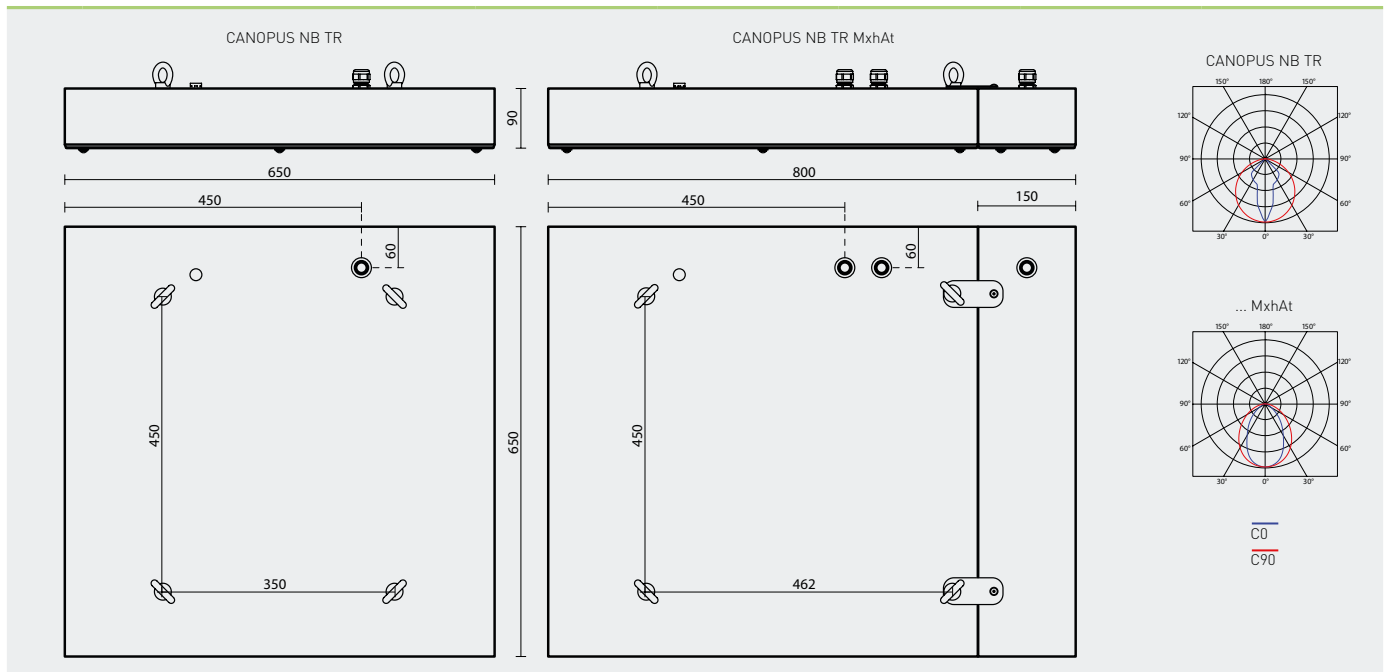
**LIGHT FITTING DETAILED VIEW****LIGHT FITTING DETAILED VIEW WITH AN EMERGENCY MODULE**

CANOPUS NB TR



TECHNICAL DESCRIPTION

- Light fitting protection: IP65
- Maximum ambient temperature: $t_a = 0-35^\circ\text{C}$ and for the design with a back-up power supply M1hAt, M3hAt
- Maximum system efficacy: 154 lm/W
- The watt and lumen values can vary by $\pm 7,5\%$
- Standard model - CRI > 80: 4000 K
- MacAdam = 3 SDCM
- Lifetime: 50,000 hours / L90B50
- Diffuser: transparent tempered safety glass (TR)
- Possibility of delivery of the diffuser with a safety foil (SF)
- EM kit with battery autotesting for M1hAt and M3hAt
- Reflector: parabolic polished aluminium with narrow emitting characteristics (NB - narrow beam)
- Body: steel sheet, white colour (RAL 9003), or inox AISI 304 at request
- Ventilation plug: type BVPB-01 made of polyamide, size M12 \times 1.5
- Sealing: EPDM attached to light fitting body
- Terminal block: interconnecting connector, 0.4 m cable
- Installation: all versions delivered including suspension lugs (4 pcs)
- Electric equipment: LED modules, current driver or current driver DALI (2 - 3 pcs depending on type)



Code	Type	Luminous flux of LED modules [lm]	Luminous flux of light fitting [lm]	Power consumption [W]	System efficacy [lm/W]	Net weight [kg]
For ambient temperature $t_a = 35^\circ\text{C}$ - body: steel sheet, white colour - diffuser: tempered safety glass with parabolic reflector (TR)						
74210	CANOPUS NB TR 22000/840	22000	19360	125	154	12,3
74220	CANOPUS NB TR 26000/840	26000	22880	157	145	12,5
74230	CANOPUS NB TR 30000/840	30000	26400	183	144	12,5

Type	Autonomy [hrs]	Emergency light flux of light fitting [lm]	Power in standby mode [W]	Battery type	Net weight [kg]
EM kit for permanent emergency lighting with battery autotesting - diffuser: satinized tempered safety glass					
... M1hAt	1	440	1,5	LiFePO ₄	+4,2
... M3hAt	3	440	1,5	LiFePO ₄	+4,4

CANOPUS NB TR

Code	Type	M1hAt	M3hAt	DALI	DALI M1hAt	DALI M3hAt
74210	CANOPUS NB TR 22000/840	74211	74213	74216	74217	74218
74220	CANOPUS NB TR 26000/840	74221	74223	74226	74227	74228
74230	CANOPUS NB TR 30000/840	74231	74233	74236	74237	74238

Example of type marking: 74236 = CANOPUS NB TR 30000/840 DALI

LEGEND

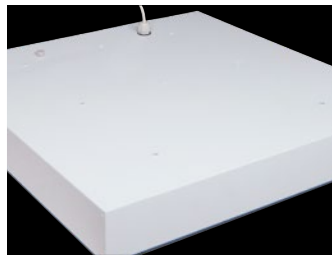
- DALI** – version with digital dimmable driver DALI (2 - 3 pcs)
M1hAt – emergency back-up source with operating time of 1 hour (SA) for permanent illumination with battery autotesting
M3hAt – emergency back-up source with operating time of 3 hours (SA) for permanent illumination with battery autotesting
 Batteries must be formatted before their putting into operation. Assembly instructions must be observed at installation.

LIGHT FITTING ATTACHMENT

- a) With help of suspension eyes of M6
- b) With help of a holder directly to the ceiling
- c) With the help of adjustable holder directly on the ceiling or on the wall
- d) With help of a chain hinge



LIGHT FITTING DETAILED VIEW



LIGHT FITTING DETAILED VIEW WITH AN EMERGENCY MODULE

