

Alto LED



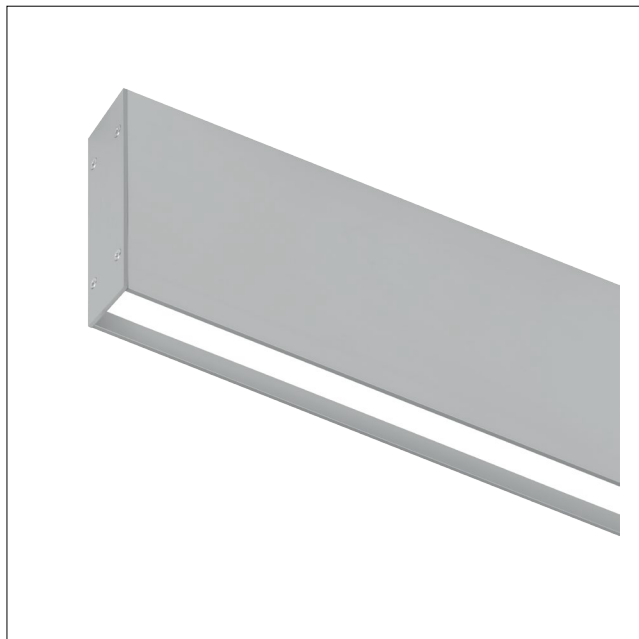
New LED lighting system designed for inline installation. ALTO LED is an elegant and efficient luminaire for lighting offices, conference rooms, receptions and other working spaces.

Materials: Electrostatically painted aluminum profile (standard color: grey), microprismatic diffuser (MPRM) made of PC or OPAL diffuser made of PC. Parabolical louver PAR

Installation: suspended

Accessories: end caps, suspensions (simple, electric), set for in line installation

Power: 230 V



ELECTRICAL DATA

Light source	LED
Number of light sources	1
Type of equipment	AC
Voltage rating	220 ... 240 V
Through-wiring	Yes
Light source included	Yes

MECHANICAL DATA

Type of installation	Suspended
Housing material	Aluminum
Designed for light-line	Yes

INFORMATION

Colour	Grey
Operating temperature range	-20 ... 40 °C

CERTIFICATES

Degree of protection (IP)	IP20
Degree of protection (IP) /top/	IP20
Class of protection	I
CE	Yes
HACCP+	Yes
EAC	Yes

LIGHT DATA

Light colour	White
Color rendering index	84
Light distribution	Mid beam
Light output degradation	B10
Lumen maintenance	L80
Lifetime	> 72000 h
MacAdam	SDCM 3
Lamp Lumen Maintenance Factor (after 60 000h)	85%

AVAILABLE VARIANTS

Product code	Luminaire power [W]	Louver/shutter	Luminaire luminous flux [lm]	Luminaire's luminous efficacy [lm/W]	Light distribution	Colour temperature	Info	Weight [kg]
AA001.2211.830.A000 PX4086011	14	OPAL	1320	94	DI	3000K	-	1.30
AA001.2211.840.A000 PX4086018	14	OPAL	1340	96	DI	4000K	-	1.30
AA002.2211.830.A000 PX4086025	25	OPAL	2630	105	DI	3000K	-	2.30
AA002.2211.840.A000 PX4086032	25	OPAL	2690	108	DI	4000K	-	2.30
AA003.2211.830.A000 PX4086039	37	OPAL	3950	107	DI	3000K	-	3.30
AA003.2211.840.A000 PX4086046	37	OPAL	4030	109	DI	4000K	-	3.30



AVAILABLE VARIANTS

Product code	Luminaire power [W]	Louver/shutter	Luminaire luminous flux [lm]	Luminaire's luminous efficacy [lm/W]	Light distribution	Colour temperature	Info	Weight [kg]
AA004.2211.830.A000 PX4086053	48	OPAL	5260	110	DI	3000K	-	4.40
AA004.2211.840.A000 PX4086060	48	OPAL	5370	112	DI	4000K	-	4.40
AA001.2222.830.A000 PX4086067	14	MPRM	1410	101	DI	3000K	-	1.30
AA001.2222.840.A000 PX4086074	14	MPRM	1440	103	DI	4000K	-	1.30
AA002.2222.830.A000 PX4086081	25	MPRM	2820	113	DI	3000K	-	2.30
AA002.2222.840.A000 PX4086088	25	MPRM	2880	115	DI	4000K	-	2.30
AA003.2222.830.A000 PX4086095	37	MPRM	4230	114	DI	3000K	-	3.30
AA003.2222.840.A000 PX4086102	37	MPRM	4310	116	DI	4000K	-	3.30
AA004.2222.830.A000 PX4086109	48	MPRM	5640	118	DI	3000K	-	4.40
AA004.2222.840.A000 PX4086116	48	MPRM	5750	120	DI	4000K	-	4.40
AA001.2244.830.A000 PX4086301	12	miniPAR	1050	88	DI	3000K	-	1.30
AA001.2244.840.A000 PX4086308	12	miniPAR	1080	90	DI	4000K	-	1.30
AA002.2244.830.A000 PX4086315	21	miniPAR	2110	100	DI	3000K	-	2.40
AA002.2244.840.A000 PX4086322	21	miniPAR	2150	102	DI	4000K	-	2.40
AA003.2244.830.A000 PX4086329	30	miniPAR	3160	105	DI	3000K	-	3.40
AA003.2244.840.A000 PX4086336	30	miniPAR	3230	108	DI	4000K	-	3.40
AA004.2244.830.A000 PX4086343	40	miniPAR	4210	105	DI	3000K	-	4.50
AA004.2244.840.A000 PX4086350	40	miniPAR	4300	108	DI	4000K	-	4.50
AA005.2211.830.A000 PX4086123	37	OPAL	3900	105	DI/IN	3000K	DI-2630lm / IN-1270lm	2.40
AA005.2211.840.A000 PX4086130	37	OPAL	3990	108	DI/IN	4000K	DI-2690lm / IN-1300lm	2.40
AA006.2211.830.A000 PX4086137	59	OPAL	6490	110	DI/IN	3000K	DI-3940lm / IN-2550lm	3.40
AA006.2211.840.A000 PX4086144	59	OPAL	6630	112	DI/IN	4000K	DI-4030lm / IN-2600lm	3.40
AA007.2211.830.A000 PX4086151	79	OPAL	9080	115	DI/IN	3000K	DI-5260lm / IN-3820lm	4.50
AA007.2211.840.A000 PX4086158	79	OPAL	9270	117	DI/IN	4000K	DI-5370lm / IN-3900lm	4.50
AA005.2222.830.A000 PX4086165	37	MPRM	4090	111	DI/IN	3000K	DI-2820lm / IN-1270lm	2.40
AA005.2222.840.A000 PX4086172	37	MPRM	4180	113	DI/IN	4000K	DI-2880lm / IN-1300lm	2.40
AA006.2222.830.A000 PX4086179	59	MPRM	6780	115	DI/IN	3000K	DI-4230lm / IN-2550lm	3.40
AA006.2222.840.A000 PX4086186	59	MPRM	6910	117	DI/IN	4000K	DI-4310lm / IN-2600lm	3.40
AA007.2222.830.A000 PX4086193	79	MPRM	9460	120	DI/IN	3000K	DI-5640lm / IN-3820lm	4.50



AVAILABLE VARIANTS

Product code	Luminaire power [W]	Louver/shutter	Luminaire luminous flux [lm]	Luminaire's luminous efficacy [lm/W]	Light distribution	Colour temperature	Info	Weight [kg]
AA007.2222.840.A000 PX4086200	79	MPRM	9650	122	DI/IN	4000K	DI-5750lm / IN-3900lm	4.50
AA005.2244.830.A000 PX4086357	33	miniPAR	3380	102	DI/IN	3000K	DI-2110lm / IN-1270lm	2.40
AA005.2244.840.A000 PX4086364	33	miniPAR	3450	105	DI/IN	4000K	DI-2150lm / IN-1300lm	2.40
AA006.2244.830.A000 PX4086371	53	miniPAR	5710	108	DI/IN	3000K	DI-3160lm / IN-2550lm	3.40
AA006.2244.840.A000 PX4086378	53	miniPAR	5830	110	DI/IN	4000K	DI-3230lm / IN-2600lm	3.40
AA007.2244.830.A000 PX4086385	73	miniPAR	8030	110	DI/IN	3000K	DI-4210lm / IN-3820lm	4.50
AA007.2244.840.A000 PX4086392	73	miniPAR	8200	112	DI/IN	4000K	DI-4300lm / IN-3900lm	4.50
			1085	28				00
					AA002.2211.830.A000 PX4086018	4000K	AA002.2222.830.A000 PX4086074	AA002.2244.830.A000 PX4086308
					AA002.2211.840.A000 PX4086025		AA002.2222.840.A000 PX4086081	AA002.2244.840.A000 PX4086315
					AA005.2211.830.A000 PX4086032		AA005.2222.830.A000 PX4086088	AA005.2244.830.A000 PX4086322
					AA005.2211.840.A000 PX4086123		AA005.2222.840.A000 PX4086165	AA005.2244.840.A000 PX4086357
					AA006.2211.830.A000 PX4086130		AA006.2222.830.A000 PX4086172	AA006.2244.830.A000 PX4086364
			1625	28	AA003.2211.830.A000 PX4086039		AA003.2222.830.A000 PX4086095	AA003.2244.830.A000 PX4086329
					AA003.2211.840.A000 PX4086046		AA003.2222.840.A000 PX4086102	AA003.2244.840.A000 PX4086336
					AA006.2211.830.A000 PX4086137		AA006.2222.830.A000 PX4086179	AA006.2244.830.A000 PX4086371
					AA006.2211.840.A000 PX4086144		AA006.2222.840.A000 PX4086186	AA006.2244.840.A000 PX4086378
			2170	28	AA004.2211.830.A000 PX4086053		AA004.2222.830.A000 PX4086109	AA004.2244.830.A000 PX4086343
					AA004.2211.840.A000 PX4086060		AA004.2222.840.A000 PX4086116	AA004.2244.840.A000 PX4086350
					AA007.2211.830.A000 PX4086151		AA007.2222.830.A000 PX4086193	AA007.2244.830.A000 PX4086385
					AA007.2211.840.A000 PX4086158		AA007.2222.840.A000 PX4086200	AA007.2244.840.A000 PX4086392

L = Length | W = Width | H = Height / Depth



ACCESSORIES

Electric element



Electrical suspension
Pieces in set: 1

FS002.22.1500
PX0922077

Grey

FS002.11.1500
PX0922083

White

FS002.33.1500
PX0922090

Black

Alto LED through wiring
Pieces in set: 1

PX4086394

5x L=545mm

PX4086395

5x L=1085mm

PX4086396

5x L=1625mm

PX4086397

5x L=2170mm

Structural element



Alto End cap
Pieces in set: 1

FE001.22.0002
PX4086206

Grey

FE001.33.0002
PX4086210

Black oxidized
screws in set

Black

Connecting element

Alto Accessories for in line installation

FJ001.00.0000
PX4086214

Stal

FL022.00.0000
PX4086221

Tubular wrench 6x7mm

Installation element

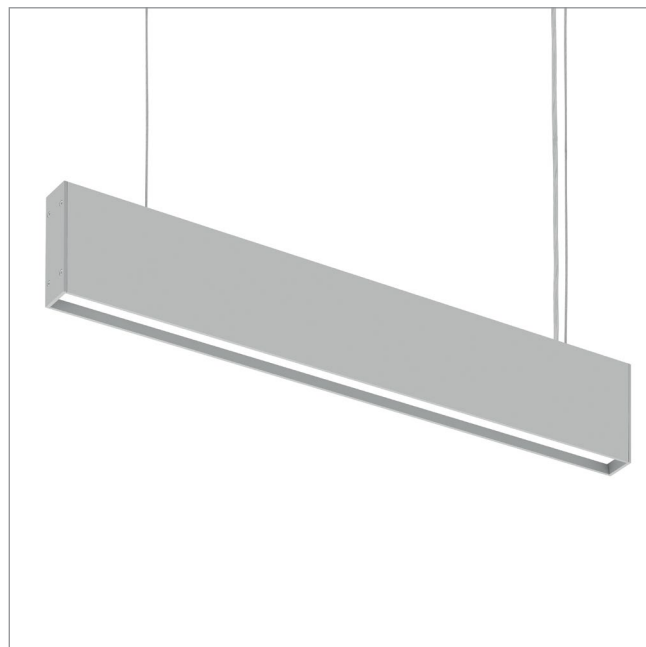
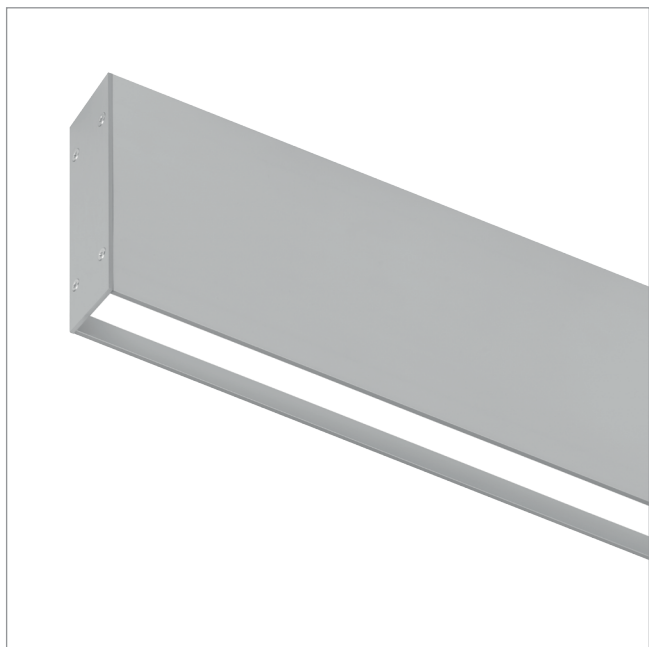


Simple suspension
Pieces in set: 1

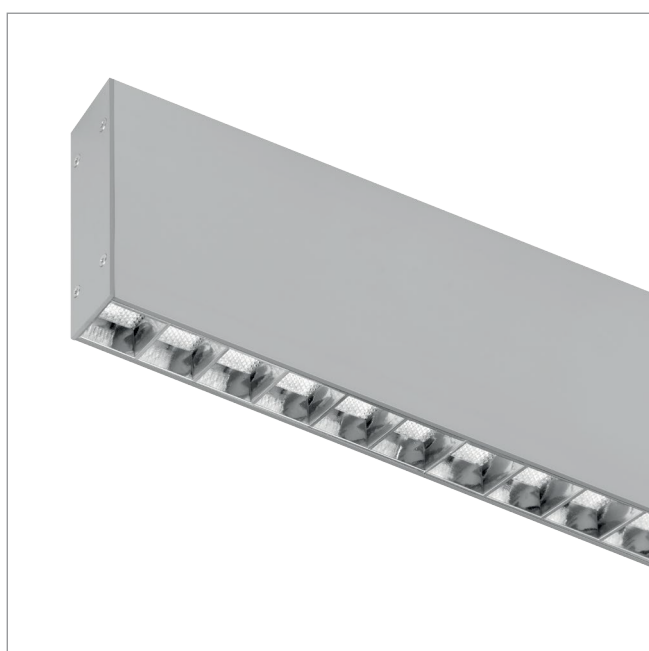
FS001.00.1500
PX0922149



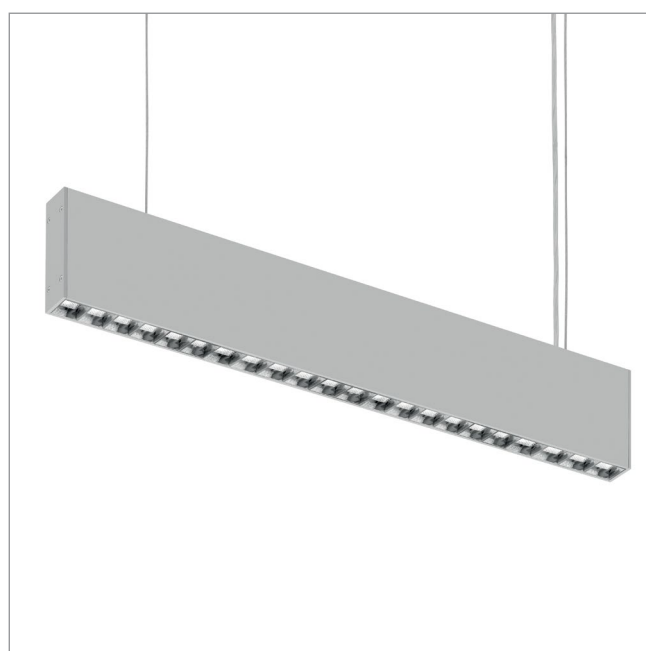
ALTO LED OPAL



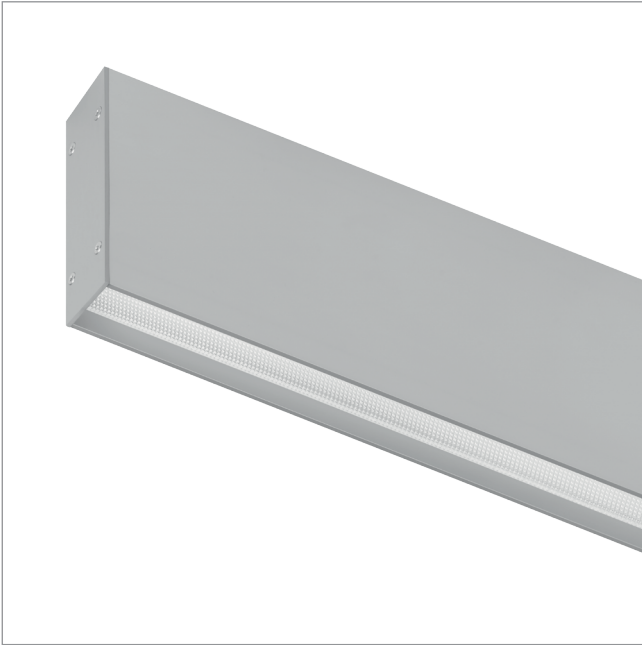
ALTO LED PAR



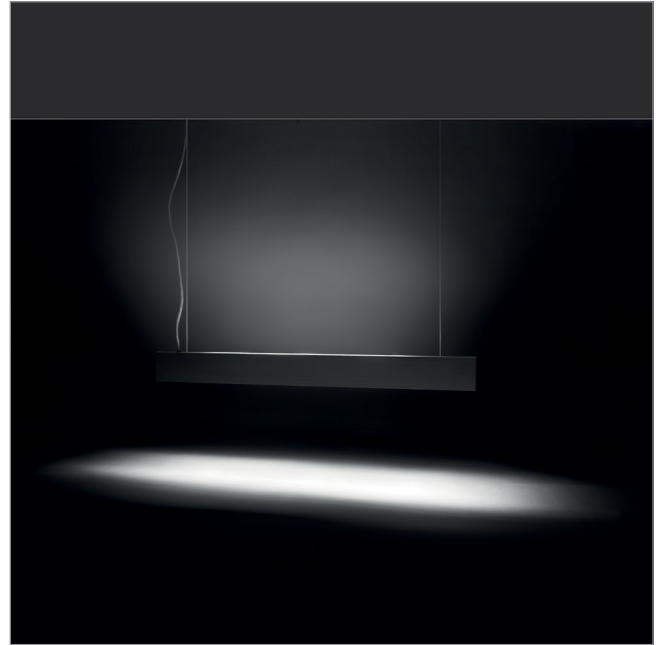
ALTO LED PAR



ALTO LED MPRM



ALTO LED DI-IN



On request: special black version with black louvers

