

# Geometric Ring Max LED



A family of LED luminaires in the shape of a round. Thanks to their modern and universal shape, GEOMETRIC RING MAX LED luminaires can be used in any type of space inside a building. Their main characteristics are a uniform luminance all over the OPAL diffuser and a high-quality lighting performance

**Materials:** powder painted aluminum profile (grey colour in standard). OPAL diffuser.

**Installation:** suspended (suspensions in set. length = 2,8m for versions 1400-2800mm, length = 5m for versions 4000-5300mm)

**Power:** 230V

## ELECTRICAL DATA

Light source	LED
Number of light sources	1
Type of equipment	AC
Voltage rating	220 ... 240 V
Light source included	Yes
Power factor	0.96

## MECHANICAL DATA

Type of installation	Suspended
Housing material	Aluminum

## INFORMATION

Colour	Grey
Operating temperature range	-15 ... 40 °C

## CERTIFICATES

Degree of protection (IP)	IP40
Class of protection	I
Light source protection	Yes
CE	Yes
HACCP+	Yes
EAC	Yes

## LIGHT DATA

Light colour	White
Color rendering index	80
Light distribution	Wide beam
Class of luminaire	I
Light output degradation	B10
Lumen maintenance	L80
Lifetime	> 72000 h
MacAdam	SDCM 3
Lamp Lumen Maintenance Factor (after 60 000h)	86 %

## OPTICAL DATA

Louver/ shutter	OPAL
Diffuser colour	White
Diffuser material	Opal plastic

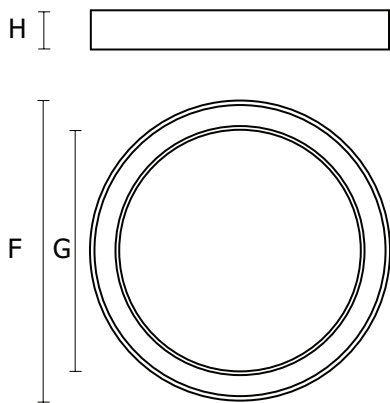
## AVAILABLE VARIANTS

Product code	Luminaire power [W]	Luminaire luminous flux [lm]	Luminaire's luminous efficacy [lm/W]	Light distribution	Colour temperature	Other	Info	Weight [kg]
AE007.2211.830.A000 PX4100101	146	15600	107	DI	3000K	DI-15600lm	1400mm	9.70

## AVAILABLE VARIANTS

Product code	Luminaire power [W]	Luminaire luminous flux [lm]	Luminaire's luminous efficacy [lm/W]	Light distribution	Colour temperature	Other	Info	Weight [kg]
AE007.2211.840.A000 PX4100108	146	15900	109	DI	4000K	DI-15900lm	1400mm	9.70
AE008.2211.830.A000 PX4100110	166	17700	107	DI	3000K	DI-17700lm	1600mm	11.00
AE008.2211.840.A000 PX4100112	166	18000	108	DI	4000K	DI-18000lm	1600mm	11.00
AE009.2211.830.A000 PX4100115	220	23700	108	DI	3000K	DI-23700lm	2100mm	14.20
AE009.2211.840.A000 PX4100122	220	24200	110	DI	4000K	DI-24200lm	2100mm	14.20
AE010.2211.830.A000 PX4100129	300	32400	108	DI	3000K	DI-32400lm	2800mm	19.00
AE010.2211.840.A000 PX4100136	300	33000	110	DI	4000K	DI-33000lm	2800mm	19.00
AE011.2211.830.A000 PX4100143	429	46100	107	DI	3000K	DI-46100lm	4000mm	27.30
AE011.2211.840.A000 PX4100150	429	47000	110	DI	4000K	DI-47000lm	4000mm	27.30
AE012.2211.830.A000 PX4100157	574	61600	107	DI	3000K	DI-61600lm	5300mm	36.20
AE012.2211.840.A000 PX4100164	574	62800	109	DI	4000K	DI-62800lm	5300mm	36.20
AE013.2211.830.A000 PX4090692	267	25660	96	DI/IN	3000K	DI-16990lm / IN-8670lm	1600mm	17.00
AE013.2211.840.A000 PX4090694	267	26370	99	DI/IN	4000K	DI-17460lm / IN-8910lm	1600mm	17.00
AE014.2211.830.A000 PX4090696	334	31920	96	DI/IN	3000K	DI-21140lm / IN-10780lm	2000mm	22.00
AE014.2211.840.A000 PX4090698	334	32800	98	DI/IN	4000K	DI-21720lm / IN-11080lm	2000mm	22.00





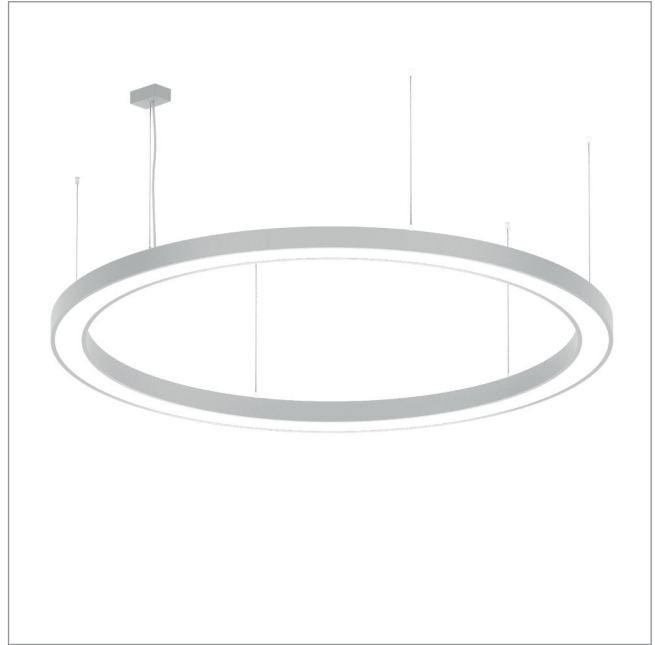
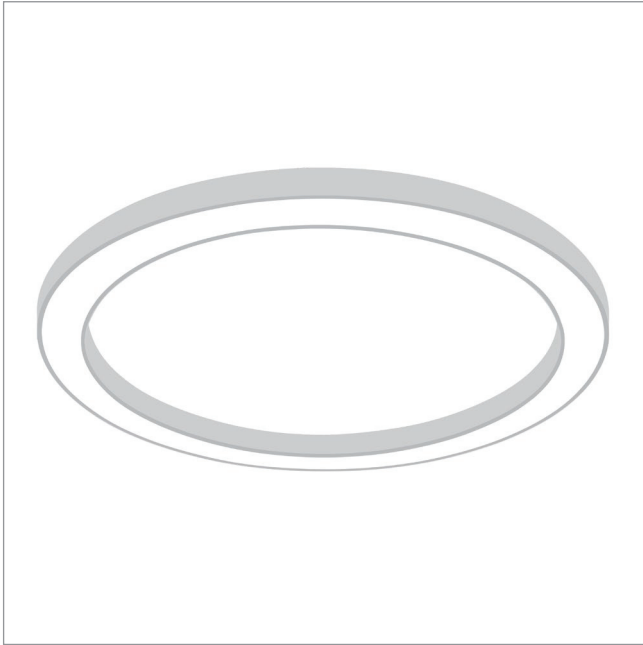
#### DIMENSIONS

H [mm]	F [mm]	G [mm]	DI	DI/IN
62	1400	1200	AE007.2211.830.A000 PX4100101 AE007.2211.840.A000 PX4100108	
62	1600	1400	AE008.2211.830.A000 PX4100110 AE008.2211.840.A000 PX4100112	
62	2100	1900	AE009.2211.830.A000 PX4100115 AE009.2211.840.A000 PX4100122	
62	2800	2600	AE010.2211.830.A000 PX4100129 AE010.2211.840.A000 PX4100136	
62	4000	3800	AE011.2211.830.A000 PX4100143 AE011.2211.840.A000 PX4100150	
62	5300	5100	AE012.2211.830.A000 PX4100157 AE012.2211.840.A000 PX4100164	
108	1600	1400		AE013.2211.830.A000 PX4090692 AE013.2211.840.A000 PX4090694
108	2000	1800		AE014.2211.830.A000 PX4090696 AE014.2211.840.A000 PX4090698

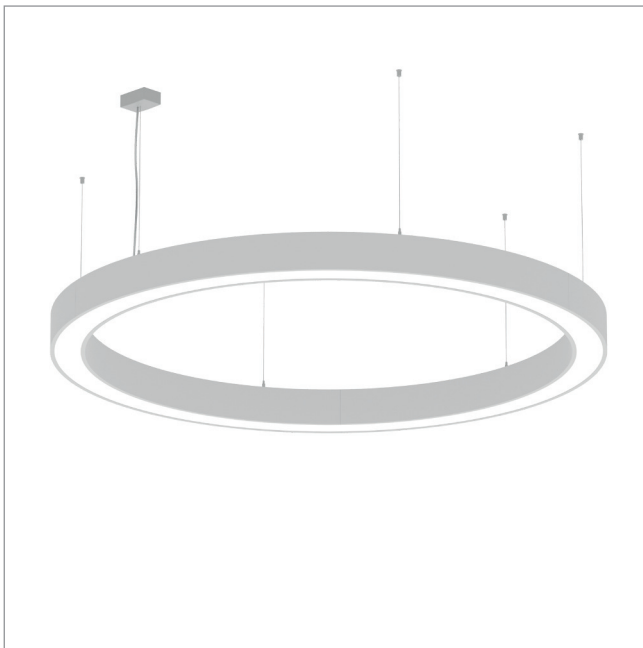
H = Height / Depth | F = Outer diameter | G = Inner diameter



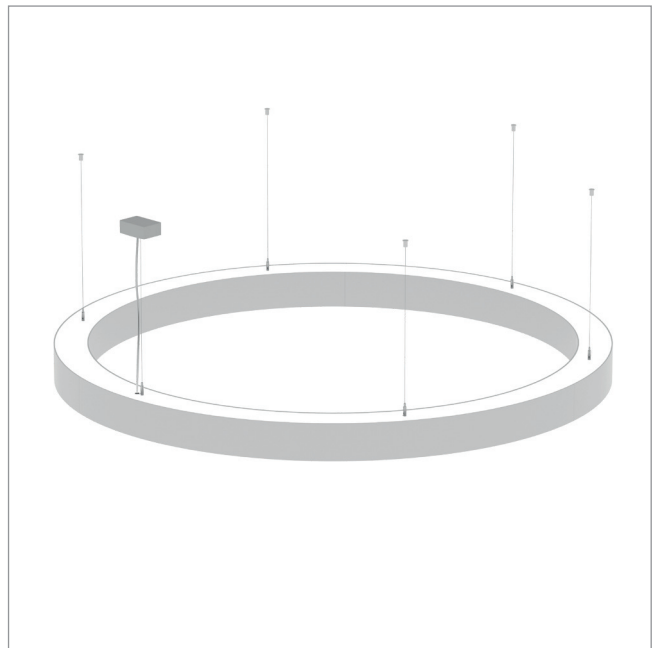
GEOMETRIC RING MAX LED DI



GEOMETRIC RING MAX LED DI-IN



GEOMETRIC RING MAX LED DI-IN



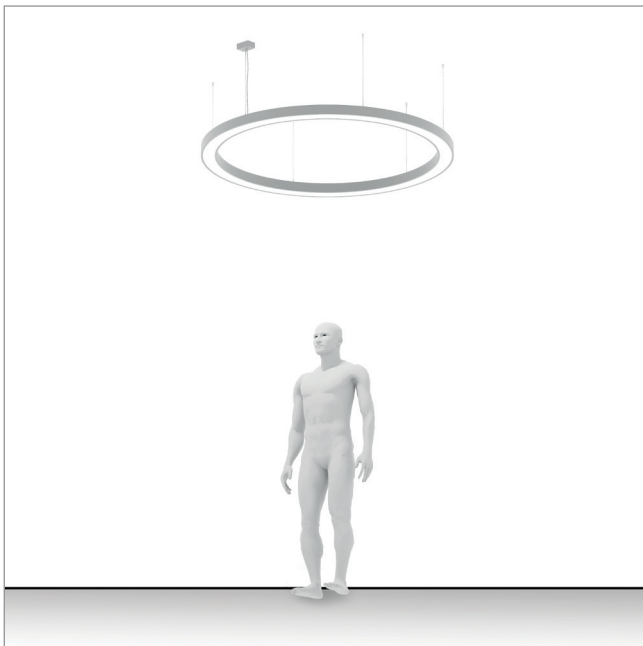
GEOMETRIC RING MAX LED DI



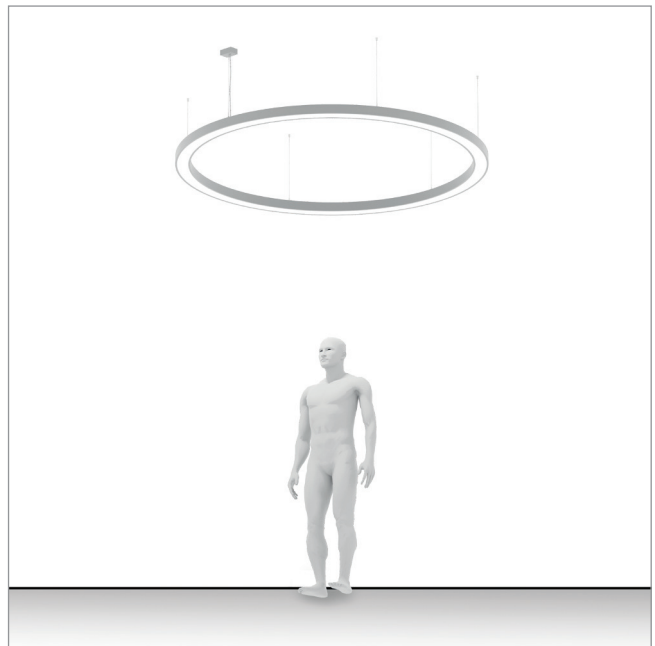
GEOMETRIC RING MAX LED DI 1400mm



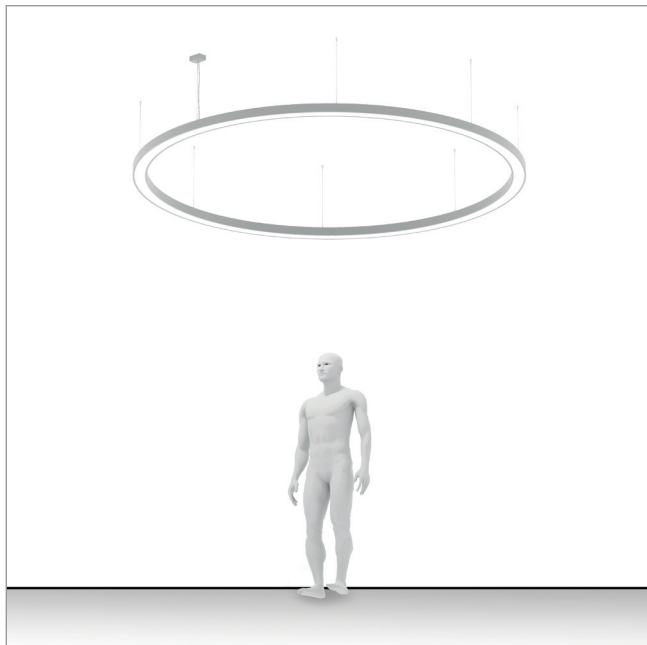
GEOMETRIC RING MAX LED DI 1600mm



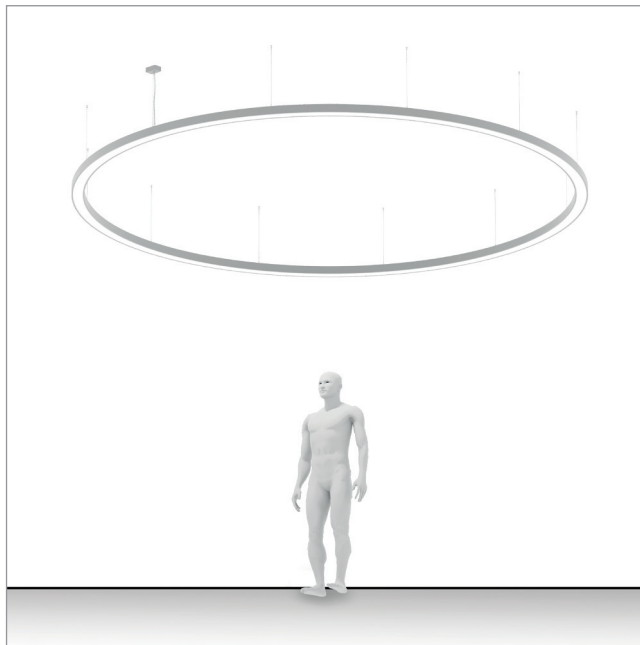
GEOMETRIC RING MAX LED DI 2100mm



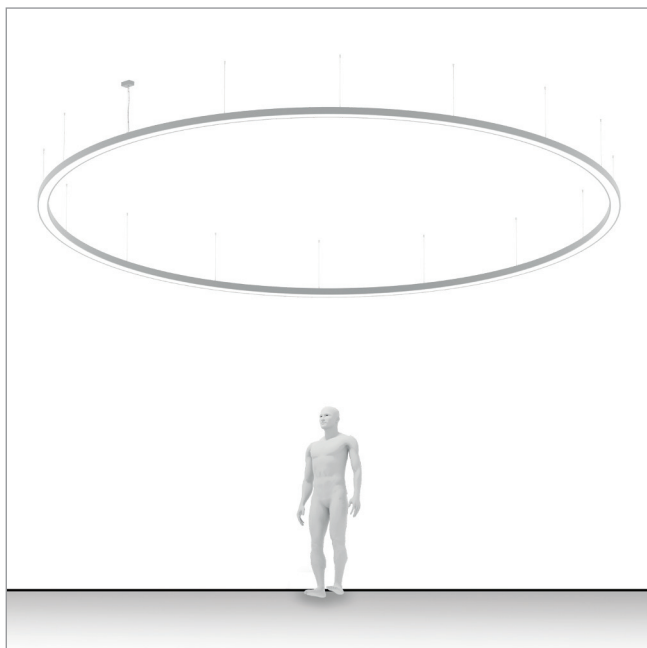
GEOMETRIC RING MAX LED DI 2800mm



GEOMETRIC RING MAX LED DI 4000mm



GEOMETRIC RING MAX LED DI 5300mm



GEOMETRIC RING MAX LED DI-IN



