

VIP WALL IP44 LED

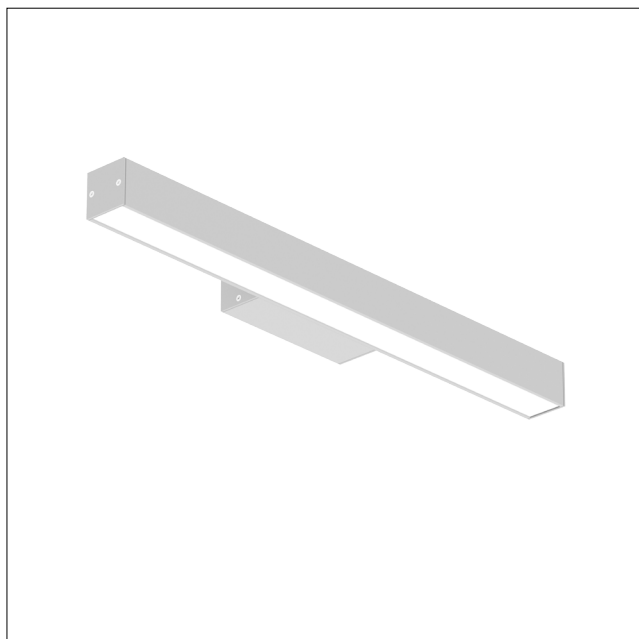


VIP WALL IP44 LED is a subtle and minimalistic extension of VIP system made of aluminum profile and direct light distribution. Version with LED light sources. VIP WALL IP44 LED was designed as an accenting wall luminaire for use in bathrooms, corridors and conference rooms.

Materials: Powder painted aluminum profile (standard color: grey), polycarbonate OPAL diffuser.

Installation: Wall mounted.

Power: 230 V



ELECTRICAL DATA

Light source	LED
Luminaire power	13W
Number of light sources	1
Type of equipment	AC
Voltage rating	220 ... 240 V
Light source included	Yes

MECHANICAL DATA

Type of installation	Wall mounted
Housing material	Aluminum

INFORMATION

Operating temperature range	-15 ... 40 °C
-----------------------------	---------------

CERTIFICATES

Degree of protection (IP)	IP44
Light source protection	Yes
CE	Yes
PZH	Yes
HACCP+	Yes
EAC	Yes

LIGHT DATA

Light colour	White
Light distribution	DI
Class of luminaire	I
Light output degradation	B10
Lumen maintenance	L80
Lifetime	> 72000 h
MacAdam	SDCM 3
Lamp Lumen Maintenance Factor (after 60 000h)	85%

OPTICAL DATA

Louver/ shutter	OPAL
Diffuser colour	White
Diffuser material	Opal plastic

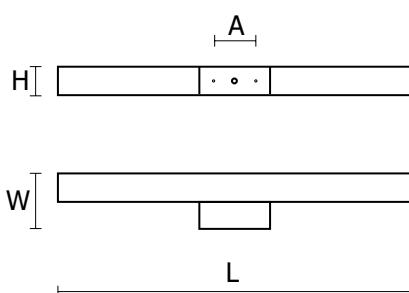
AVAILABLE VARIANTS

Luminaire luminous flux [lm]	Luminaire's luminous efficacy [lm/W]	Colour temperature	Colour	ON/OFF	DALI
1235	95	3000K	White	BN001.1111.830.A000	BN001.1111.830.D000
1265	97	4000K	White	BN001.1111.840.A000	BN001.1111.840.D000
1050	81	3000K	White	BN001.1111.930.A000	BN001.1111.930.D000
1080	83	4000K	White	BN001.1111.940.A000	BN001.1111.940.D000
1235	95	3000K	Grey	BN001.2211.830.A000 PX0918220	BN001.2211.830.D000
1265	97	4000K	Grey	BN001.2211.840.A000 PX0918225	BN001.2211.840.D000

AVAILABLE VARIANTS

Luminaire luminous flux [lm]	Luminaire's luminous efficacy [lm/W]	Colour temperature	Colour	ON/OFF	DALI
1050	81	3000K	Grey	BN001.2211.930.A000	BN001.2211.930.D000
1080	83	4000K	Grey	BN001.2211.940.A000	BN001.2211.940.D000
1235	95	3000K	Black	BN001.3311.830.A000	BN001.3311.830.D000
1265	97	4000K	Black	BN001.3311.840.A000	BN001.3311.840.D000
1050	81	3000K	Black	BN001.3311.930.A000	BN001.3311.930.D000
1080	83	4000K	Black	BN001.3311.940.A000	BN001.3311.940.D000

DIMENSIONS



L [mm]	W [mm]	H [mm]
595	92	46

L = Length | W = Width | H = Height /
Depth



