



## GLIDER TREND

- High performance with extreme cost-efficiency
  - 1-10V & DALI compatible

# GLIDER TREND

Input Power	LED-Module *Citizen 6-Gen	Color Consistency	Installation Type	Material	Warranty	Beam Angles	Luminaire Color
110 – 130V	CRI 80+ 3000K, 4000K, 5000K	2-Step MacAdam	Nordic Aluminium 3 & 1 -phase Tracks	Powder Painted Die-Cast Aluminum	50 000h Or 5 Years	1206 COB/ 1212 COB: S 10°/20° NFL 24°/- FL 30°/40° WFL 50°/60°	White (RAL 9016)
220 – 240V	CRI 90+ 2700K B.BBL, 3000K B.BBL, 3500K B.BBL, 4000K						Silver (Ca. RAL 9006)
							Black (RAL 9005)

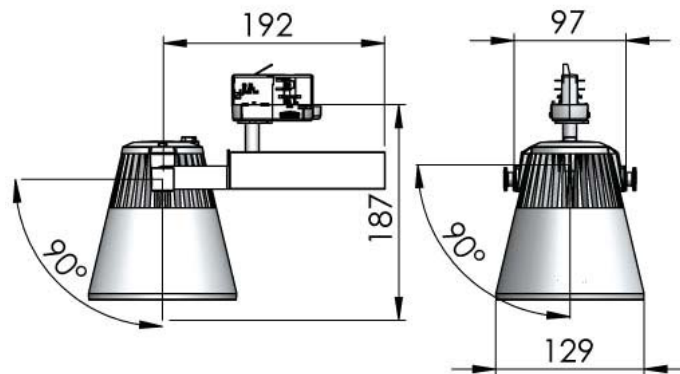
Output Current /  
Module Wattage /  
Luminaire Wattage:

LED Module: Citizen CLU038-1206 6Gen – COB luminous flux: Power: 250mA – 1200mA

	CRI 80+ 3 000K	CRI 80+ 4 000K	CRI 80+ 5 000K	CRI 90+ 2 700K Below BBL	CRI 90+ 3 000K Below BBL	CRI 90+ 3 500K Below BBL	CRI 90+ 4 000K
650mA / 23W / 25W	3 450Lm	3 525Lm	3 575Lm	2 700Lm	2 800Lm	2 850Lm	3000Lm
900mA / 33W / 35W	4 450Lm	4 575Lm	4 625Lm	3 500Lm	3 625Lm	3 675Lm	3 875Lm
1050mA / 39W / 43W	5 025Lm	5 150Lm	5 200Lm	3 925Lm	4 075Lm	4 150Lm	4 350Lm

LED Module: Citizen CLU048-1212 6Gen – COB luminous flux: Power: 250mA – 1400mA

	3 700Lm	3 800Lm	3 825Lm	2 900Lm	3 000Lm	3 050Lm	3 225Lm
650mA / 22W / 25W							
1050mA / 36W / 40W	5 625Lm	5 775Lm	5 850Lm	4 400Lm	4 575Lm	4 650Lm	4 900Lm
1400mA / 49W / 55W	7 050Lm	7 225Lm	7 325Lm	5 525Lm	5 750Lm	5 825Lm	6 125Lm



\*LED-Module efficacy  
– Up to 170Lm/W

**IP20**

LED Design | Made In Finland