

# NANOTTICA TRS



... exceptionally low UGR, ceiling height from 3.5 to 8 m, impact resistant.

## USE

Compared to its basic version, fully transparent Nanottica TRS PC boasts considerably lower UGR values.

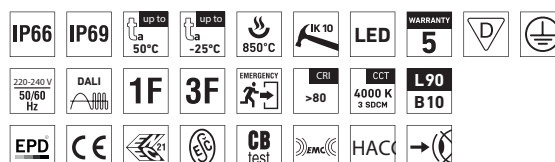
The fitting is highly recommended for illumination of premises where workers' visual precision is of paramount importance. These include workshops where fine assembly work is performed as well as craft workshops and visual inspection areas.

Its standard beam angle makes it a perfect choice for premises with an optimum luminaire installation height of 3.5 to 8 m. It is designed for indoor spaces, industrial premises, agricultural buildings, warehouses as well as sports facilities, transport hubs, car parks and garages, workshops and laboratories with no explosion hazard. IP69-rated and HACCP-compliant, the fitting's design also makes it a great choice for the food industry.

Made of clear polycarbonate, the base and the diffuser boast high impact and deformation resistance. Emissions in the environment of use may reduce the usability of the plastics; for more information see page 367.

## ADVANTAGES

- Maximum light fitting efficiency: 165 lm/W
- Patented optics ensures absolute control over light beam distribution
- Exceptionally low UGR values range from 17,0 to 22,4
- Light fitting protection IP66 / IP69
- High temperature resistance in a range from  $t_a = -25\text{ }^\circ\text{C}$  to  $t_a = 50\text{ }^\circ\text{C}$
- Lifetime: 50 000 hours / L90B10
- High mechanical resistance IK10
- Variable suspension pitch, optional installation of light fitting even on an existing structure on which the original light fittings were suspended
- Optional throughwiring (up to 7 wires inside the light fitting)
- Standard model CRI > 80: 4000 K
- On request CRI > 80: 3000 K, 5000 K, 6500 K
- CRI > 90: 3000 K, 4000 K, 5000 K, 6500 K
- Optional delivery in dimmable version
- Certificates: EPD, ES $\checkmark$ , ENEC, CB, HACCP

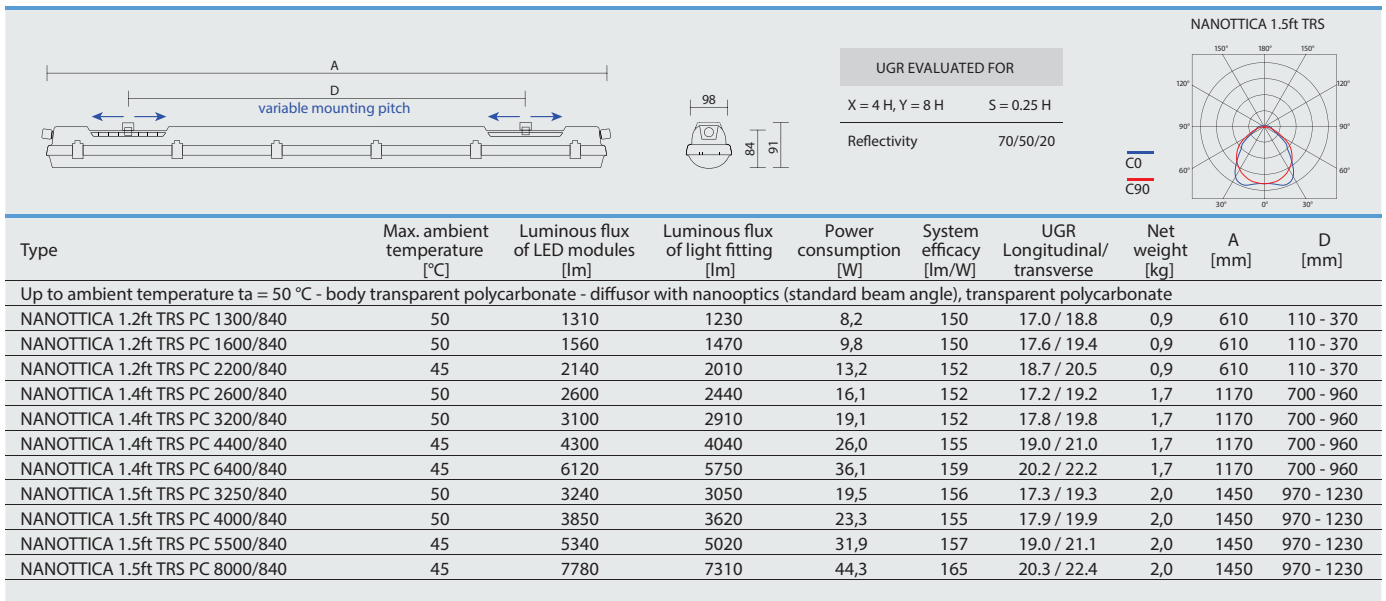


# NANOTTICA TRS PC, PCc



## TECHNICAL DESCRIPTION

- Light fitting protection: IP66 / IP69
- Maximum ambient temperature:  $t_a = 50\text{ }^\circ\text{C}$
- Maximum ambient temperature:  $t_a = 0\text{-}25\text{ }^\circ\text{C}$  for version with emergency back-up M1h, M3h
- Lifetime: 50 000 hours / L90B10
- Maximum light fitting efficiency: 165 lm/W
- UGR ranging from 17,0 to 22,4
- Optimum luminaire installation height from 3.5 to 8 m
- CRI > 80: 4000 K – standard
- CRI > 80: 3000 K, 5000 K, 6500 K - on request
- CRI > 90: 3000 K, 4000 K, 5000 K, 6500 K - on request
- MacAdam = 3 SDCM
- Diffuser: transparent PC with nanooptics (high mechanical resistance, UV stability)
- Body: transparent PC (high mechanical resistance, UV stability)
- Reflector: steel sheet, white colour (RAL 9003)
- Mounting clips: stainless steel, stainless steel hooks included
- Clips: polyamide + 15 % glass fibre or stainless steel + polyamide
- Sealing: polyurethane (PUR), foamed body groove
- Cable glands: screwed PG 13.5 (standard), or rubber (SBS)
- Terminal block: screwless, three-pole (basic version), or screwed
- The values stated for power consumption and luminous flux are in a tolerance of  $\pm 7.5\%$



## NANOTTICA TRS PC

Code	Type
103118	NANOTTICA 1.2ft TRS PC 1300/840
103119	NANOTTICA 1.2ft TRS PC 1600/840
103120	NANOTTICA 1.2ft TRS PC 2200/840
101544	NANOTTICA 1.4ft TRS PC 2600/840
101545	NANOTTICA 1.4ft TRS PC 3200/840
101546	NANOTTICA 1.4ft TRS PC 4400/840
101547	NANOTTICA 1.4ft TRS PC 6400/840
101548	NANOTTICA 1.5ft TRS PC 3250/840
101549	NANOTTICA 1.5ft TRS PC 4000/840
101550	NANOTTICA 1.5ft TRS PC 5500/840
101551	NANOTTICA 1.5ft TRS PC 8000/840

### Non-dimmable driver - plastic clips

	1F	3F	M1h	M3h	3F M1h	3F M3h
103121		101563	x	x	x	x
101553		101564	x	x	x	x
101554		101565	x	x	x	x
101555		101566	101577	101585	101593	101601
101556		101567	101578	101586	101594	101602
101557		101568	101579	101587	101595	101603
101558		101569	101580	101588	101596	101604
101559		101570	101581	101589	101597	101605
101560		101571	101582	101590	101598	101606
101561		101572	101583	101591	101599	101607
101562		101573	101584	101592	101600	101608

## NANOTTICA TRS PCc

Code	Type
101609	NANOTTICA 1.2ft TRS PCc 1300/840
101610	NANOTTICA 1.2ft TRS PCc 1600/840
101611	NANOTTICA 1.2ft TRS PCc 2200/840
101612	NANOTTICA 1.4ft TRS PCc 2600/840
101613	NANOTTICA 1.4ft TRS PCc 3200/840
101614	NANOTTICA 1.4ft TRS PCc 4400/840
101615	NANOTTICA 1.4ft TRS PCc 6400/840
101616	NANOTTICA 1.5ft TRS PCc 3250/840
101617	NANOTTICA 1.5ft TRS PCc 4000/840
101618	NANOTTICA 1.5ft TRS PCc 5500/840
101619	NANOTTICA 1.5ft TRS PCc 8000/840

### Non-dimmable driver - stainless clips (c)

	1F	3F	M1h	M3h	3F M1h	3F M3h
101620		101631	x	x	x	x
101621		101632	x	x	x	x
101622		101633	x	x	x	x
101623		101634	101645	101653	101661	x
101624		101635	101646	101654	101662	101670
101625		101636	101647	101655	101663	101671
101626		101637	101648	101656	101664	101672
101627		101638	101649	101657	101665	101673
101628		101639	101650	101658	101666	101674
101629		101640	101651	101659	101667	101675
101630		101641	101652	101660	101668	101676

**NANOTTICA TRS PC DALI**

Code	Type
101677	NANOTTICA 1.2ft TRS PC 1300/840 DALI
101678	NANOTTICA 1.2ft TRS PC 1600/840 DALI
101679	NANOTTICA 1.2ft TRS PC 2200/840 DALI
101680	NANOTTICA 1.4ft TRS PC 2600/840 DALI
101681	NANOTTICA 1.4ft TRS PC 3200/840 DALI
101682	NANOTTICA 1.4ft TRS PC 4400/840 DALI
101683	NANOTTICA 1.4ft TRS PC 6400/840 DALI
101684	NANOTTICA 1.5ft TRS PC 3250/840 DALI
101685	NANOTTICA 1.5ft TRS PC 4000/840 DALI
101686	NANOTTICA 1.5ft TRS PC 5500/840 DALI
101687	NANOTTICA 1.5ft TRS PC 8000/840 DALI

**Digital dimmable driver DALI - plastic clips**

	1F	3F	M1h	M3h	3F M1h	3F M3h
101688		x	x	x	x	x
101689		x	x	x	x	x
101690		x	x	x	x	x
101691		101702	101713	101721	101729	101737
101692		101703	101714	101722	101730	101738
101693		101704	101715	101723	101731	101739
101694		101705	101716	101724	101732	101740
101695		101706	101717	101725	101733	101741
101696		101707	101718	101726	101734	101742
101697		101708	101719	101727	101735	101743
101698		101709	101720	101728	101736	101744

**NANOTTICA TRS PCc DALI**

Code	Type
101745	NANOTTICA 1.2ft TRS PCc 1300/840 DALI
101746	NANOTTICA 1.2ft TRS PCc 1600/840 DALI
101747	NANOTTICA 1.2ft TRS PCc 2200/840 DALI
101748	NANOTTICA 1.4ft TRS PCc 2600/840 DALI
101749	NANOTTICA 1.4ft TRS PCc 3200/840 DALI
101750	NANOTTICA 1.4ft TRS PCc 4400/840 DALI
101751	NANOTTICA 1.4ft TRS PCc 6400/840 DALI
101752	NANOTTICA 1.5ft TRS PCc 3250/840 DALI
101753	NANOTTICA 1.5ft TRS PCc 4000/840 DALI
101754	NANOTTICA 1.5ft TRS PCc 5500/840 DALI
101755	NANOTTICA 1.5ft TRS PCc 8000/840 DALI

**Digital dimmable driver DALI - stainless clips (c)**

	1F	3F	M1h	M3h	3F M1h	3F M3h
101756		x	x	x	x	x
101757		x	x	x	x	x
101758		x	x	x	x	x
101759		101770	101781	101789	101797	101805
101760		101771	101782	101790	101798	101806
101761		101772	101783	101791	101799	101807
101762		101773	101784	101792	101800	101808
101763		101774	101785	101793	101801	101809
101764		101775	101786	101794	101802	101810
101765		101776	101787	101795	101803	101811
101766		101777	101788	101796	101804	101812

**LEGEND**

- 1F 1-phase 3 core through-wiring in the luminaire
- 3F 3-phase 5 core through-wiring in the luminaire
- M1h emergency back-up source with 1 hour operating time for maintained emergency illumination
- M3h emergency back-up source with 3 hour operating time for maintained emergency illumination
- 3F Mxh 3-phase 5 core through-wiring in the luminaire (L3 used for emergency unit unswitched power supply)

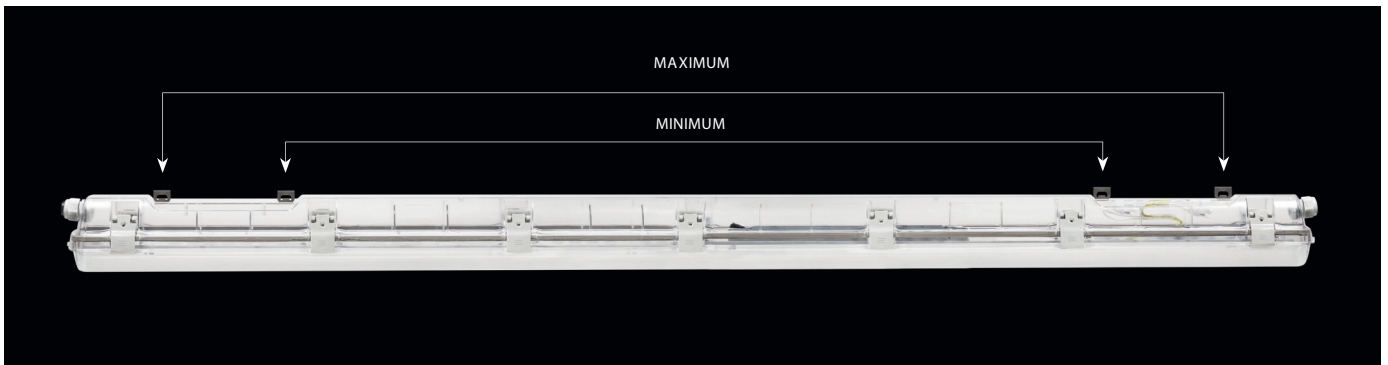
- DALI version with digital dimmable driver DALI
- DALI 1F 1-phase 5 core through-wiring in the luminaire
- DALI 3F 3-phase 7 core through-wiring in the luminaire
- DALI 3F Mxh 3-phase 7 core through-wiring in the luminaire (L3 used for emergency unit unswitched power supply)

LIGHT FITTING ATTACHMENT

- a) Directly to a ceiling or a wall with the use of screws and stainless brackets
- b) Suspension with the use of stainless hooks
- c) Attachment with the use of side hangers to the wall - is not included in accessories



VARIABLE INSTALLATION PITCH  
NANOTTICA TRS



LIGHT FITTING DETAILED VIEW  
NANOTTICA TRS

